

GENERAL FEATURES

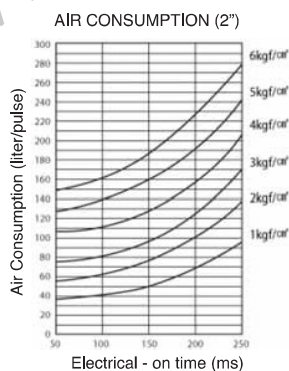
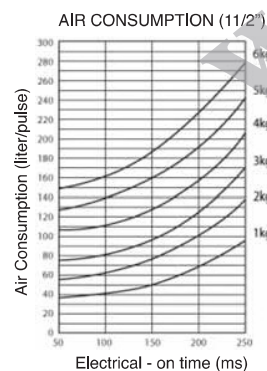
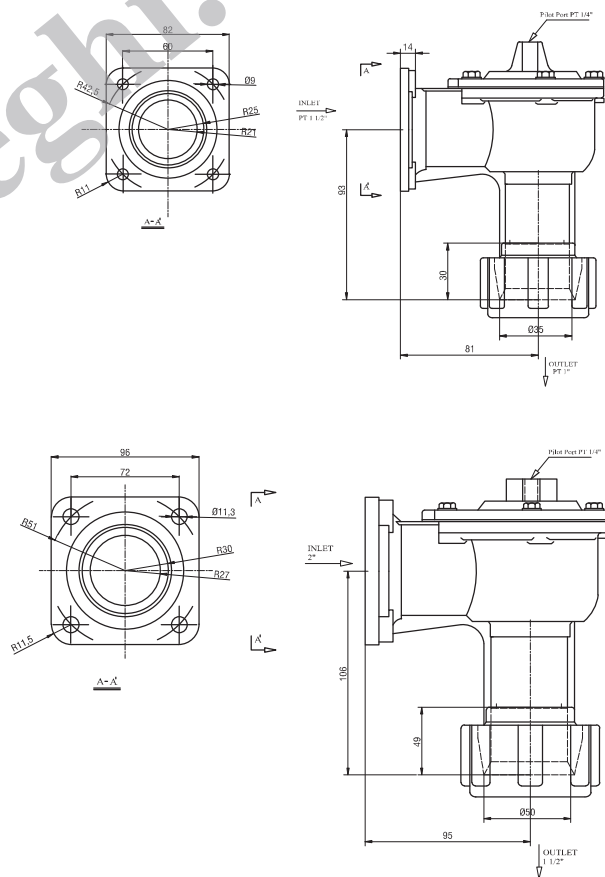
- **TORK series PL1090 remote control flanged and compression fittings pulse valves are 2/2 way normally closed .**
- **Suitable air**
- **G 1 1/2" and G 2" connection**
- **The pulse valves are especially designed for dust collector service application or similar systems**
- **Without coil compact design, high reliability, flow rate, quality and performance; long life.**
- **Extremely fast opening and closing**
- Working Temperature:-20°C...80°C
- **Minimum operating differential pressure 0,5 bar**
- **On request; with electronic timer**
- Ambient Temperature:from -20°C...80°C
- Some application; dust filters, bunkers, dust extractors, electrostatic painting cabinets
- Coils interchangeable
- Flow factor Kv of each valve is indicated, so that the flow Q can be calculated as a function of pressure
- Pulse valves must be used with filtered fluids.
- Pulse valve can be mounted in any position without affecting operation; vertical with coil upwards preferred.

Normally Closed



MATERIALS IN CONTACT WITH FLUIDS

- Body : Die Cast Aluminium
- Internal Parts : Stainless Steel and brass
- Sealing : NBR
- Shading Ring : Copper
- Seats : Aluminium
- Core Tube : Stainless Steel
- Springs : Stainless Steel



Valve Type / Order no	Connection Size	Orifice size	Pressure		KV	Fluid Temperature		Seal	Weight
			min	max		min	max		
PL1090	G	mm	bar	bar	lt/min	min	max		(kg)
PL1090.05	1 1/2"-1"	25	0.5	8	560	-20	80	NBR	0.92
PL1090.07	2" - 1 1/2"	40	0.5	8	984	-20	80	NBR	1.75